



**THIELE**

## SP-R Connectors (Single Plane Round)

34x126  
34x131 BIG-T  
38x126  
38x137  
38x148 BB



**New**

Coming soon: 22x86, 26x92, 30x108, 42x146

The SP-R Connector is an advanced development of the well proven SP-Connector-Design, with major improvements achieved by incorporating a round center lock. The "R" in the name denotes the round lock.

### ADVANTAGES

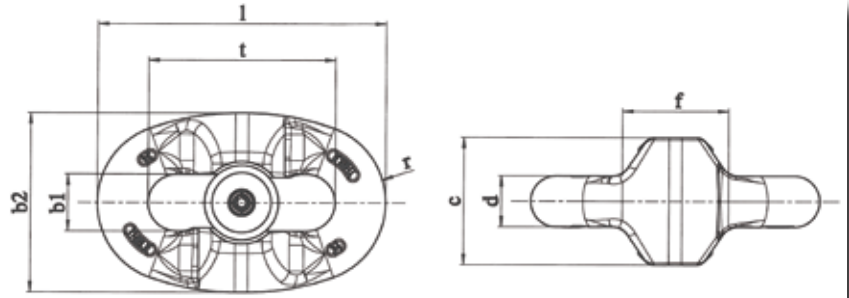
- + IMPROVED ASSEMBLY
- + IMPROVED DISASSEMBLY (FROM BOTH SIDES)
- + ROLL PIN WITHOUT DYNAMIC LOADS
- + IMPROVED BREAKING STRENGTH (DEPENDING ON SIZE)





# THIELE®

## SP-R Connectors (Single Plane Round)



Chain Size d x t [mm]	Article No.	d	t	b <sub>1</sub> min.	b <sub>2</sub> max.	c max.	f max.	l max.	r -2	Work Force WF kN max.	Breaking Force kN min.	Weight kg
34 x 126	F26151	34 ± 1,0	126 ± 1,3	37	122	85	87	198	55	907	1.550	5,5
34 x 131 BIG-T	F26153	34 ± 1,0	131 ± 1,3	45	115	82	71	205	59	907	1.450	5,3
38 x 126	F26164	38 ± 1,1	126 ± 1,3	42	137	95	82	207	61	1.130	1.820	7,2
38 x 137	F26161	38 ± 1,1	137 ± 1,4	42	137	95	93	218	61	1.130	1.820	7,5
38 x 148 BB	F26167	38 ± 1,1	148 ± 1,5	63	146	87	77	228	73	1.130	1.820	8,0

condition at time of delivery: natural black (NSW); additional dimensions upon request

the above values apply to connectors in 'natural black' condition (NSW)

Subject to change without notice

## Accessories: Pin Punch

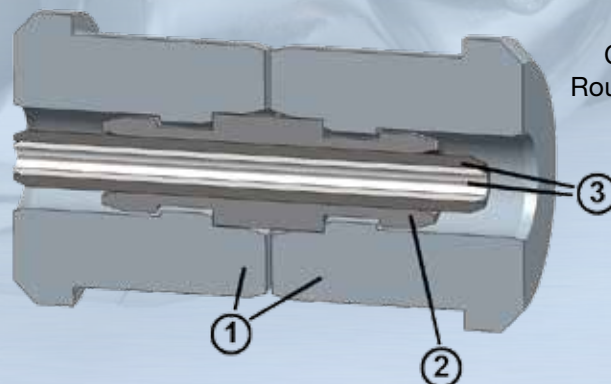


Pin Punches for the SP-R Connector are available under Art. No. F92201.

The Pin Punch with stepped diameters is designed to assist disassembly.

## Spare Part Set: Round Center Lock

Chain Size d x t [mm]	Round Center Lock incl. Roll Pins Art. No.
34 x 126	F261502
34 x 131 BIG-T	F261512
38 x 126	F261612
38 x 137	F261612
38 x 148 BB	F261672



Cross Section  
Round Center Lock

### Set including:

- ① 2x Center Lock Part with drilling, ② 1x Center Lock Part with double cone, ③ 2x Roll Pin

